

## DIGIEYE CAM SY-T4BF

## THERMAL IP CAMERA



Equipped with a Dual Vision camera with a fixed lens, this series offers a particularly advantageous all-in-one solution for long-distance video surveillance in external applications. Along with Thermal technology, the camera's long-range capabilities can also be used at night.

## KEY FEATURES

- IRFPA uncooled microbolometer
- Effective pixels 400 × 300
- Sensitivity 40mK
- Thermal: 8mm fixed lens, visible: 2.7-12 mm motorized objective
- Accuracy 0.3 ° C
- Support Body detection, up to 16 targets Response time 30ms
- Supports color control 17

IP



Via della Scienza 50  
41122 Modena—Italia  
Tel.: +39 059 289811  
Fax: +39 059 289860  
www.techboardgroup.com



**Divisione Sicurezza**  
Tel. +39 059 289899  
Fax + 39 059 289860  
www.syac-tb.com

## FUNCTIONS

**Image color mode**

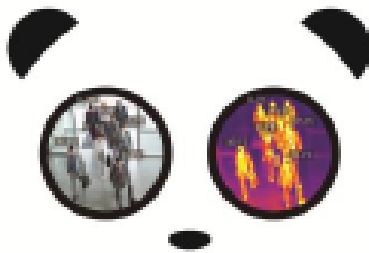
Warm white / warm black / rainbow iron up to 17 modes

**Compatibility**

ONVIF compatibility, CGI provider and SDK for integration

**Smart body detection**

Monitoring of human body temperature, up to 16 targets



**TECHBOARD**  
group

Via della Scienza 50  
41122 Modena—Italia  
Tel.: +39 059 289811  
Fax: +39 059 289860  
www.techboardgroup.com

**SYAC.TB**

**Divisione Sicurezza**  
Tel. +39 059 289899  
Fax + 39 059 289860  
www.syac-tb.com

## TECHNICAL SPECIFICATIONS

### Thermal Camera

Detector Type	Uncooled IRFPA Microbolometer
Effective Pixels	400(H) × 300(V)
Pixel Size	17µm
Thermal Sensitivity (NETD)	40mK @F1.0, 300K
Spectral Range	8~14µm
Image Setting	Polarity LUT/ DVE/ Mirror/ FCC/ /3D DNR Brightness/Contrast/ ROI
Color Palettes	Black-Heat /White-Heat/Rainbow/Iron- Red up to 17 modes
Thermal Lens	
Focus Control	Manual Focus
Focal Length	8mm
F No.	F1.0
Angle of View	H: 46°, V: 35°
Visible Camera	
Image Sensor	1/1.9" Sony CMOS
Effective Resolution	1920(H)×1080(V)
Shutter Speed	1/50 ~ 1/64,000s
Wide Dynamic Range	True WDR 120dB
Min. Illumination	Color: 0.01Lux @(F1.2, AGC ON) B/W: 0.001Lux @(F1.2, AGC ON)
S/N Ratio	More than 55dB
Visible Lens	
Focal Length	2.7 ~ 12mm
Max Aperture	F1.6~ F2.9
Angle of View	105°~ 32°
Optical Zoom	Motorized
Focus Control	Motorized
Close Focus Distance	0.2m
Video and Audio	
Compression	H.265, H.264, MJPEG
Frame Rate	Main Stream: Thermal: D1 @25/30fps Visible: 1920×1080/1280×720 @25/30fps  Sub Stream: Thermal: CIF @25/30fps Visible: D1/VGA/640×360/CIF/ QCIF/QVGA @25/30fps
Bit Rate Control	CBR/VBR
Bit Rate	Thermal: 100Kbps~6Mbps Visible: main stream: 500Kbps~10Mbps; sub stream: 100Kbps~6Kbps
Region of Interest	Off / On (8 Zone, Rectangle)
Electronic Image Stabilization (EIS)	N/A

Digital Zoom	16x
Mirror	Support
Defog	Support
Motion Detection	Support
Privacy Masking	Off / On (4 Area, Rectangle)
DVE Image Enhance	Support
Audio Compression	G.711, AMR, RAW_PCM (Optional)
Intelligence	
Smart Alarm	Motion detection, Disk alarm, I/O alarm, Temperature alarm, Temperature warning
IVS	Smart Body Detection, Perimeter ,Single Virtual Fences ,Double Virtual Fences ,Object Left ,Object Removed

### Temperature Detection

Detection Mode	Body temperature monitoring
Detection Preset	Max 16 goals
Temperature Alarm	Over temperature alarm, Temperature difference alarm
Accuracy	≤ 0.3 °C (Emission rate, distance, ambient temperature, etc.)
Response Time	≤30ms
Theory of temperature measurement range	-20 °C ~ 60 °C (-4°F ~ 140°F)
Temperature display mode	Temperature target >5°C, Display absolute temperature value; Temperature target ≤5°C, Display relative temperature value (temperature difference DEV = highest value - average)

### Network

Ethernet	RJ-45 (10/100Base-T)
Protocols:	IPv4/IPv6 ,HTTP,RTSP/RTP/RTCP, TCP/UDP, DHCP, DNS, PPPOE, SMTP, SIP ,802.1x
Interoperability	ONVIF, CGI
Streaming Method	Unicast
Max. User Access	10 Users
Edge Storage	NAS Local PC for instant recording Micro SD card 128GB
Web Viewer	<IE11, Firefox, Chrome
Web Language	English, Chinese, Polish, Italian, Portuguese, Spanish, Russian, French, Czech, Hungarian

### Interface

Ethernet	1 Ethernet (10/100 Base-T) RJ-45 Connector
Audio Interface	1ch Audio In,1ch Audio Out
Alarm	2ch Alarm In,2ch Alarm Out
RS485	Support
BNC Output	N/A
Reset Button	Support(Built-in)



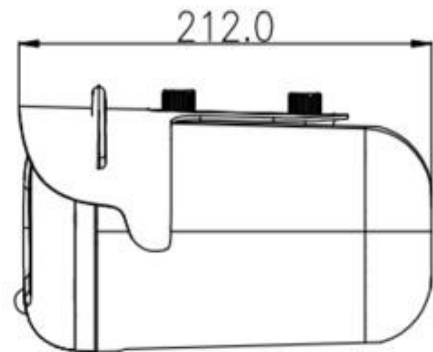
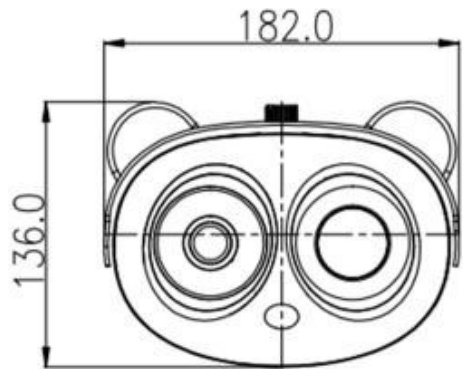
Via della Scienza 50  
41122 Modena—Italia  
Tel.: +39 059 289811  
Fax: +39 059 289860  
www.techboardgroup.com

**Divisione Sicurezza**  
Tel. +39 059 289899  
Fax + 39 059 289860  
www.syac-tb.com

DATA  
SHEETS



## DIMENSIONS(MM)

**TECHBOARD**  
GROUP

Via della Scienza 50  
41122 Modena—Italia  
Tel.: +39 059 289811  
Fax: +39 059 289860  
www.techboardgroup.com

**SYAC·TB**

**Divisione Sicurezza**  
Tel. +39 059 289899  
Fax + 39 059 289860  
www.syac-tb.com